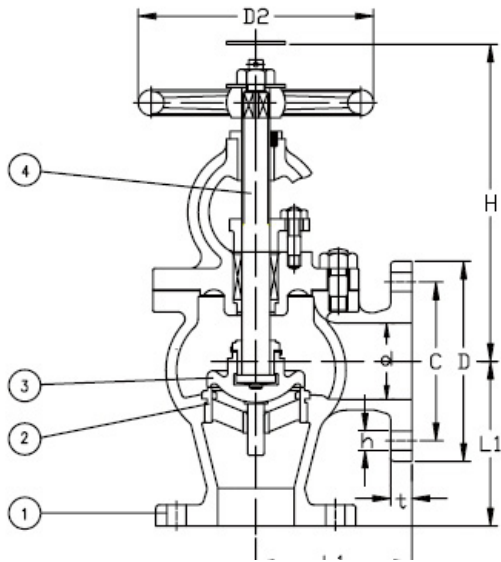


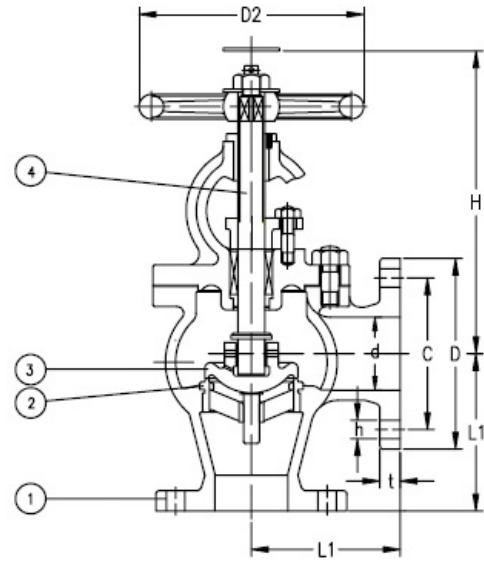


**MARINE CAST STEEL 10K GLOBE VALVE - JIS F7319**  
**MARINE CAST STEEL 10K GLOBE VALVE (SDNR) - JIS F7471**

Manufactured in accordance to JIS F7400  
 Flanges as per JIS B2220 - 10K



<JIS F7319>



<JIS F7471>

No.	Component	Material
1	Body	Cast Steel
2	Seat	Stainless Steel
3	Disc	Stainless Steel
4	Stem	Stainless Steel

	Test Pressure MPa [kgf/cm <sup>2</sup> ]
Body	2.06 [21.0]
Seat	1.51 [15.4]

Size	F7319									F7471								
	L	D	C	No.	h	t	H	D2	Kg	L	D	C	No.	h	t	H	D2	Kg
50A	220	155	120	4	19	16	270	160	17.9	220	155	120	4	19	16	265	160	17.9
65A	270	175	140	4	19	18	300	200	26.0	270	175	140	4	19	18	295	200	26.1
80A	300	185	150	8	19	18	310	200	29.8	300	185	150	8	19	18	300	200	29.8
100A	350	210	175	8	19	18	355	250	44.7	350	210	175	8	19	18	345	250	44.8
125A	420	250	210	8	23	20	415	280	70.3	420	250	210	8	23	20	405	280	69.8
150A	490	280	240	8	23	22	470	315	96.4	490	280	240	8	23	22	455	315	96.3
200A	570	330	290	12	23	22	565	355	159	570	330	290	12	23	22	545	355	158
250A	740	400	355	12	25	24	645	400	257	740	400	355	12	25	24	645	400	257
300A	840	445	400	16	25	24	735	450	370	840	445	400	16	25	24	735	450	370